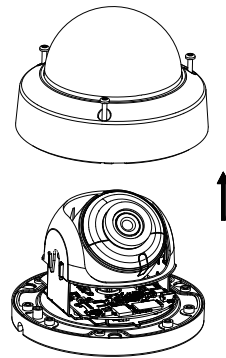
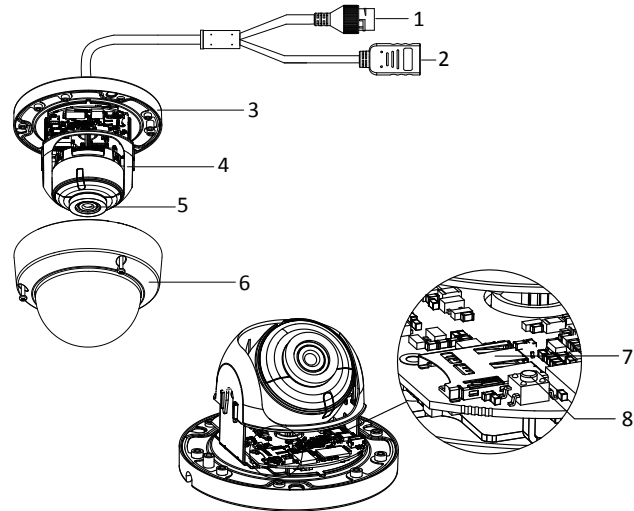


Dome Type IV Network Camera

Quick Installation Guide



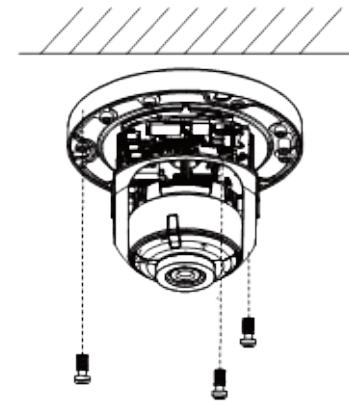
Notes:

- In case of losing, screws on bubble can not be screwed out thoroughly.
- The bubble is fastened to the camera with a safety rope.

Notes:

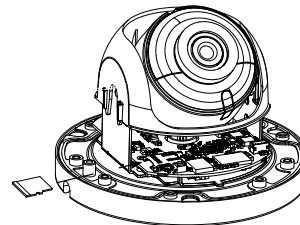
- If you choose to route cable through the ceiling, cut a cable hole according to Hole A on drill template.
- You can also route cable from the side outlet.

4. Route the cables and fix the mounting base on the ceiling with three screws..

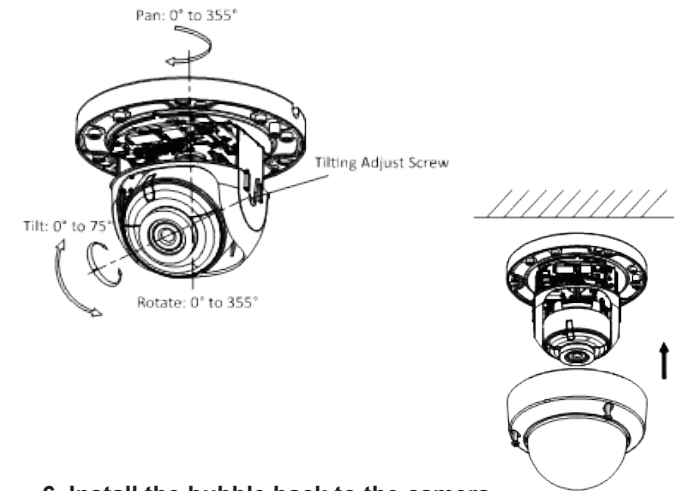


No.	Description	No.	Description
1	RJ45 self-adaptive network interface (supports PoE)		
2	HDMI		
3	Mounting base		
4	Black liner		
5	Lens	7	Memory card slot
6	Bubble	8	Reset button

2. Find the memory card slot to insert the memory card.



5. Adjust surveillance angle. See the figure of each camera type for detailed angle adjustment range.



Note:

Press RESET about 10 s when the camera is powering on or rebooting to restore the default settings, including the user name, password, IP address, and port No., etc.

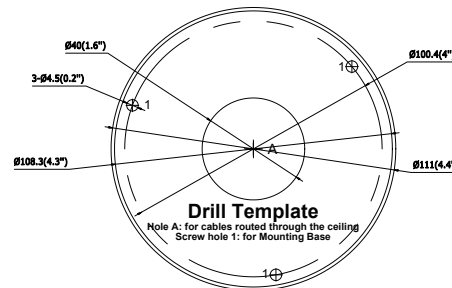
Installation Steps:

1. Loosen the screws on the bubble. Remove the bubble to expose the memory card slot.

3. Ceiling Mounting.

3.1 Paste the drill template to desired mounting place.

3.2 Drill the screw holes on the ceiling according to the drill template.



6. Install the bubble back to the camera.

For detailed instructions of further configuration, please refer to the user manual of network camera.